



## FDSB291, FDSB292, FDS221-R, FDS221-W

Sinteso™

### Sounder bases, Alarm sounders



addressable (FDnet), collective

---

- **Sounder base FDSB291**

- 11 tonalities selectable, 2 activation levels programmable
- Sound intensity up to 88 dBA, adjustable on 2 levels
- Compatible to the addressable detectors FDOOT and FDO
- Connector for 1 external alarm indicator
- Power supply and communication via FDnet

- **Sounder base FDSB292**

- 1 tonality intermittent, 1 activation level
- Sound intensity 84 dBA
- Compatible only with the FDOOT241-9 on a collective detector line
- Connector for 1 external alarm indicator
- Power supply via detector line

- **Alarm sounder FDS221**

- 11 tonalities selectable, 2 activation levels programmable
- Sound intensity up to 99 dBA, adjustable on 3 levels
- Compatible to the addressable detector base
- Use of base accessories possible
- Monitoring of device status
- Power supply and communication via FDnet

- **Environmental**

- ecologically processing
- recyclable materials
- electronic und synthetic material simple separable

- **Characteristics sounder base FDSB291**

- base addressable
- sound intensity and sounds adjustable, sounds are synchronized with all alarm devices
- screw less connection terminals
- no auxiliary power supply required; power is supplied via FDnet
- incl. 2 micro terminals DBZ1190-AA
- space for auxiliary terminals, for the connection of an alarm indicator

- **Characteristics sounder base FDSB292**

- base collective
- 1 sound, 1 sound intensity, no synchronization of sounds
- screw less connection terminals
- no auxiliary power supply required; power is supplied via detector line
- incl. 2 micro terminals DBZ1190-AA
- space for auxiliary terminals, for the connection of an alarm indicator

- **Characteristics alarm sounder FDS221-R, FDS221-W**

- protected electronics, high-quality components
- integrated short-circuit isolator
- sound intensity and sounds adjustable
- screw less connection terminals
- no auxiliary power supply required; power is supplied via FDnet
- very low operating current
- periodic testing of the acoustic part (not audible)
- monitoring of device status

## Alarm sounder FDS221-R, FDS221-W

---

- **Function**

- loud alarming in case of fire alarm, clearly recognizable as danger signal

- **Application**

- along escape routes
- corridors
- staircases

## Sounder base FDSB291, FDSB292

---

- **Function**

- The sounder base FDSB291 serves for acoustic alarming in an addressed fire detection system.
- The sounder base FDSB292 serves for acoustic alarming on a collective detector line, when the collective detector line is migrated to FDnet, the buzzer of the sounder base FDSB292 behaves in the same way as the sounder base FDSB291.
- In case of a fire alarm, the signal base triggers an acoustic signal in parallel to the flashing of the detector LED.

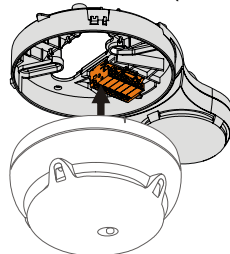
- **Application**

- hotel rooms
- hospital rooms
- nursing homes, living rooms and lounges

## Installation

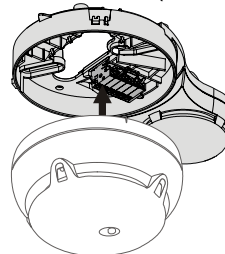
- The sounder base FDSB291, FDSB292 and the detector compose a unity, which already has a base and is mounted on ceilings.
- for recess supply wiring
- for surface supply wiring, cable diameter up to 6 mm

**FDSB291**  
Sounder base (FDnet)



FDOOT or FDO

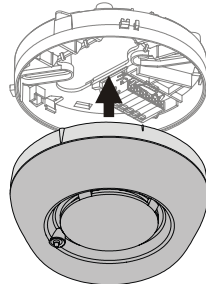
**FDSB292**  
Sounder base (collective)



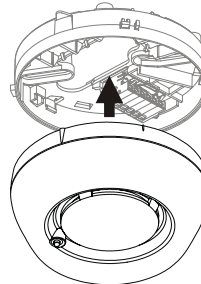
FDOOT241-9  
in collective mode

- The alarm sounder FDS221-R, FDS221-W is inserted directly in the detector base and mounted on walls or on the ceiling.
- for recess supply wiring
- for surface supply wiring, cable diameter up to 6 mm in diameter, otherwise use base attachment FDB291 or use base attachment humid FDB293.

FDB221, FDB221-AA detector base addressable



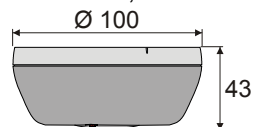
**FDS221-R**  
Alarm sounder red



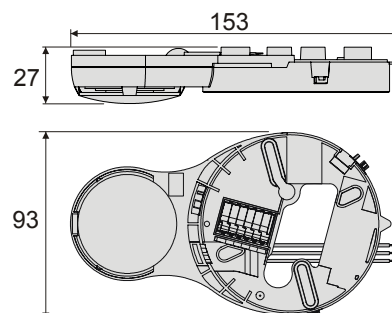
**FDS221-W**  
Alarm sounder white

## Dimensions

FDS221-R, FDS221-W



FDSB291/292



## Technical data

	FDS221-R / FDS221-W	FDSB291	FDSB292
Operating voltage	12... 33 VDC	12... 33 VDC	
Operating current (quiescent)	250 µA	150 µA	
Sound activated	3.5 mA	1.2 mA	
Number of sounds	11 2 activation levels 3 sound intensities	11 2 activation levels 2 sound intensities	1 1 activation level 1 sound intensity
Sound intensity	80... 99 dBA	80... 88 dBA	84 dBA
Ext. alarm indicator (AI)	–		1
Operating temperature	–25... +70 °C	–25... +70 °C	
Storage temperature	–30... +75 °C	–30... +75 °C	
Humidity	≤95 % rel.	≤95 % rel.	
Communication protocol	FDnet	FDnet	collective
Connection terminals	according to detector base		0.2... 1.5 mm <sup>2</sup>
Color	red, RAL 3000 white, RAL 9010		white, RAL 9010
Protection category EN60529 / IEC529			IP43
– base FDB221	mounting on the wall with cable feed from bottom →		–
– base attachment FDB291	IP43, otherwise IP40		–
– base attachment humid FDB293	IP54		–
Standards	EN54-3		EN54-3
Approvals	VdS: G204073		VdS: G204062
System compatibility FDnet	FS20, AlgoRex, SIGMASYS		–
System compatibility collective	–		CZ10, BC10, FC10, XC10, CS11, SIGMASYS, BMS, SPF, SM80/88/D100
QS standards	Siemens Standard SN 36350		

FDS221-R, FDS221-W	FDSB291	FDSB292
<b>CE</b> 0786	<b>CE</b> 0786	<b>CE</b> 0786
Siemens Schweiz AG, CH-6301 Zug Date: see manufacturing date on the product 0786-CPD-20012	Siemens Schweiz AG, CH-6301 Zug Date: see manufacturing date on the product 0786-CPD-20013	Siemens Schweiz AG, CH-6301 Zug Datum: siehe Herstellungsdatum des Produktes 0786-CPD-20013
EN 54-3 Sounders; Safety in case of fire FDS221-R, FDS221-W Technical data see Doc. 008109	EN 54-3 Sounders; Safety in case of fire FDSB291 Technical data see Doc. 007025	EN 54-3 Akustischer Signalgeber; Brandschutz FDSB292 Technische Daten siehe Dok. 009769

## Details for ordering

Type	Part no	Designation	Weight
FDSB291	A5Q00001647	Sounder base (FDnet)	0.076 kg
FDSB292	A5Q00013755	Sounder base (collective)	0.076 kg
FDS221-R	A5Q00004117	Alarm sounder red	0.130 kg
FDS221-W	A5Q00006711	Alarm sounder white	0.130 kg

Base and base accessories see document 007775

Details see equipment overview 008164

Details about system compatibility see List of compatibility 008331

Siemens Switzerland Ltd  
Building Technologies Group  
International Headquarters  
Fire Safety & Security Products  
Gubelstrasse 22  
CH-6301 Zug  
Tel. +41 41 – 724 24 24  
Fax +41 41 – 724 35 22  
www.sbt.siemens.com

© 2007 Copyright by  
Siemens Switzerland Ltd  
Data and design subject to change without notice.  
Supply subject to availability.