



FDM223H, FDM224H

Sinteso™

## Manual call points 'Heavy Duty'



addressable (FDnet)

- 
- Manual call points for the addressable Sinteso™ fire detection system
  - Extremely robust housing version made of glass fiber reinforced thermoplastic material
  - For surface mounting suited for wet, humid and dusty areas
  - Manual call point FDM223H with indirect operation and FDM224H with direct operation
  - Two-wire installation for all types of cable
  - Communication via FDnet (individual addressing)

## Characteristics

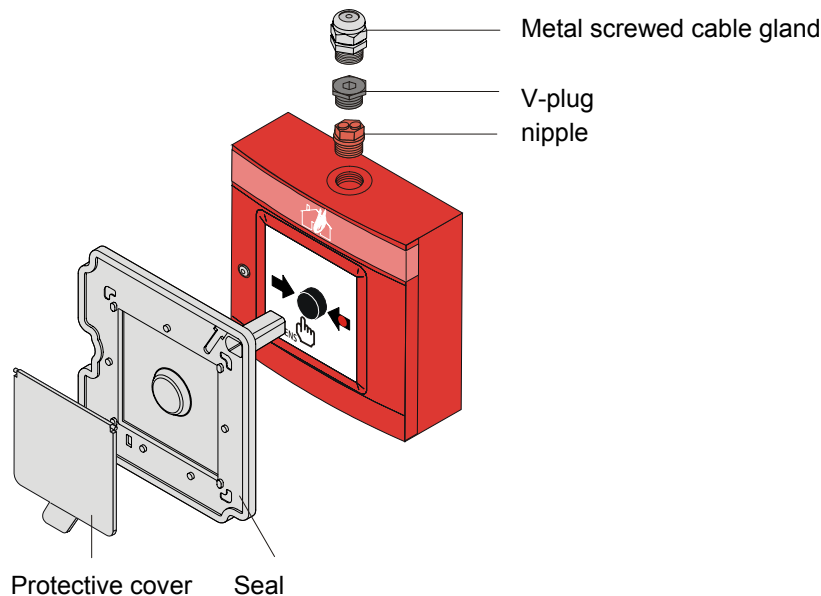
---

- **Environmental**
  - Ecologically processing
  - Recyclable materials
  - Electronic and synthetic material simple separable
- **Characteristics**
  - Protected electronic
  - Alarm indicator (LED) built-in
  - Integrated line separator
  - two-colored LED for alarm and test

## Manual call point

---

- A protective cover DMZ1197-AC (accessory part) protects the manual call point from unintentional glass break.
- A seal DMZ1197-AD (accessory part) protects the manual call point in wet applications.

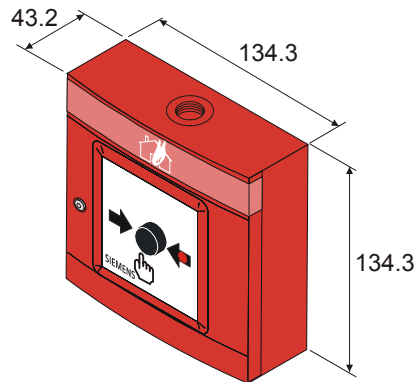


- **Function FDM223H**
  - Indirect alarm actuation by smashing in the glass plate and pressing the push button
  - To replace the glass plate, open the housing door with the key, the push button must be set back before closing the door again.
- **Function FDMH224H**
  - Direct alarm actuation by smashing in the glass plate
  - To replace the glass plate, open the housing door with the key, upon closing the door the button is reset
- **Application**
  - For the immediate manual actuation of a fire alarm
  - For indoor and outdoor application, equally suited for wet, humid and dusty areas
  - Only for surface mounted feed lines in easily accessible places
  - Tunnels, Industry

## Installation

- The housing is equipped with **one** opening at the top and **two** openings at the bottom for nipples (enclosed) and for M20 metal cable glands (accessory part)
- For IP64 applications the unused openings must be locked with the V-plug (accessory part)

## Dimensions



## Technical data

Operating voltage	12... 33 VDC	
Operating current (quiescent)	200 $\mu$ A	
Ext. Alarm indicator (AI)	2	
Operating temperature	–25... +70 °C	
Storage temperature	–30... +75 °C	
Humidity	$\leq$ 95 % rel.	
Protocol	FDnet	
Terminal block	0.28... 1.5 mm <sup>2</sup>	
Color	red, RAL 3000	
Protection category IEC60529	IP44	
– with seal DMZ1197-AD	IP64	
Standards	EN 54-11, EN54-17	
Approvals	FDM223H	FDM224H
– VdS	G205014	G206124
– LPCB	126ac/03	–
QS standards	Siemens Standard SN 36350	
System compatibility FDnet	FS20, AlgoRex, SIGMASYS	

## Details for ordering

	Type	Part no	Designation	Weight
FDM223H / FDM224H	FDMH292-R	A5Q00005525	Housing red with glass, hexagon wrench key, 3 nipples (2 holes) and plate (Feuerwehr / Brandmelder)	0.368 kg
	FDME223	A5Q00003087	Switching unit for FDM223H	0.106 kg
	FDME224	A5Q00009392	Switching unit for FDM224H	0.067 kg
Accessories	DMZ1197-AC	5223550001	Protective cover	0.015 kg
	DMZ1197-AD	5470680001	Seal for wet areas	0.022 kg
	–	A5Q00004478	Metal screwed cable gland M20 x 1.5	0.039 kg
	–	A5Q00008131	V-plug PA M20 x 1.5	0.005 kg
Spare parts	DMZ1196-AC	4942050001	Glass	0.014 kg
	–	A5Q00006735	Locking plug red, M20 x 1.5 (1 hole)	0.007 kg
	–	A5Q00010055	Locking plug red, M20 x 1.5 (2 holes)	0.007 kg
	–	5304150001	Plate (Feuerwehr / Brandmelder)	0.007 kg

Details see equipment overview 008164

Details about system compatibility see List of compatibility 008331