



FDCI222, FDCIO222, FDCIO224

Sinteso™

Input module In-/Output modules



addressable (FDnet)

- Input module FDCI222 with 4 monitored contact inputs for the acknowledgement of technical states or alarm actuation
- Input/Output module FDCIO222 with 4 control outputs with potential-free relay contacts for the control of fire doors, ventilation, air conditioning, elevator control installations and 4 monitored contact inputs for acknowledgement or alarm actuation
- Input/Output module FDCIO224 with 4 control outputs with potential-free relay contacts for the control for VdS interface of an extinguishing activating device and 4 monitored contact inputs for acknowledgement (status messages)
- Microprocessor-controlled signal evaluation
- LED display of input and output status, fault, test, etc.
- Two-wire installation for all types of cable
- Power supply via FDnet
- Communication via FDnet (individual addressing)
- Applicable in dry, dusty and humid areas
- Different mounting possibilities

Characteristics

- **Environmental**

- ecologically processing
- recyclable materials
- electronic und synthetic material simple separable

- **Characteristics**

- transparent housing for good visibility of the indicators
- protected electronics
- integrated line separator
- temporal status monitoring
- no auxiliary power supply required
- easy installation with spring-loaded catch
- applicable in dry areas
- use corresponding auxiliary housing for application in humid areas

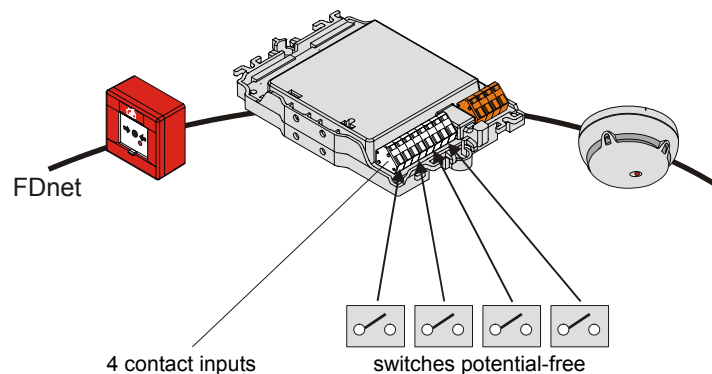
Input module FDCI222

- **Function**

- 4 inputs for potential-free contacts
- Input lines are monitored for open line and short circuit (termination resistors).
- Inputs can be independently configured via the fire detection control unit for status or alarm messages.
- status indication by LED

- **Application**

- For the connection of 4 independent, potential-free make or break contacts for the message of technical states (e.g. door or ventilation control) or for alarm actuation (e.g. sprinkler alarm).



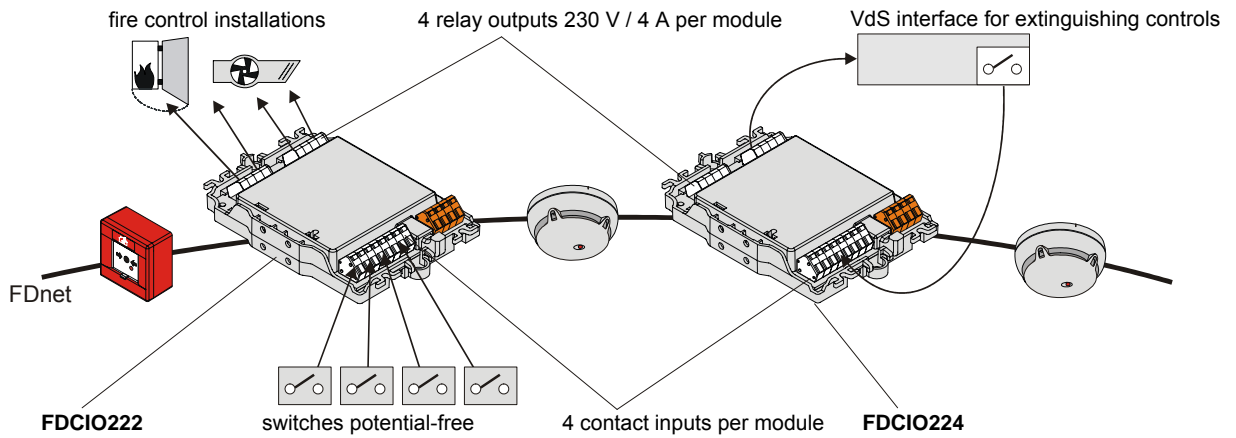
In-/Output module FDCIO222 / FDCIO224

- **Function**

- 4 inputs for potential-free contacts
- Input lines are monitored for open line and short circuit (termination resistors).
- Inputs can be independently configured via the fire detection control unit for status or alarm messages.
- 4 outputs with 4 potential-free relay contacts (230 VAC / 4 A) for fire control installations (FDCIO222), for the VdS interface for extinguishing controls (FDCIO224)
- status indication by LED

● **Application**

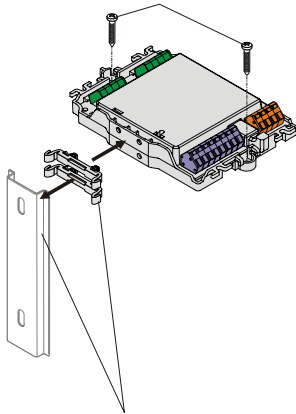
- FDCIO222 for the connection of 4 independent, potential-free make or break contacts for the message of technical states (e.g. door or ventilation control) or for alarm actuation (e.g. sprinkler alarm).
- For the decentralized control of fire doors, ventilation, air conditioning, etc.
- FDCIO224 for the VdS interface for extinguishing activating devices



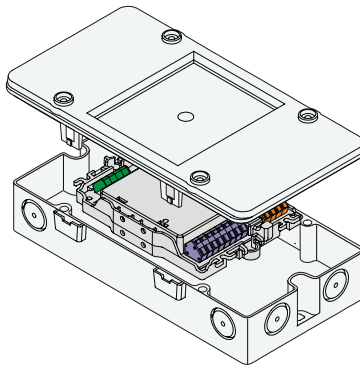
Installation

- screw directly onto top hat rail
- mounting (series mounting) top hat rail TS35
- surface- or recess-mounted cable ducts
 - housing with cover (spring-loaded catch) for dry applications
 - housing with cover, seal and screws for wet applications

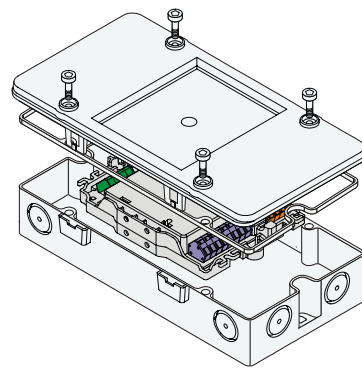
Installation directly in switching cabinet / control unit



Installation in separately housing FDCH291 for dry applications

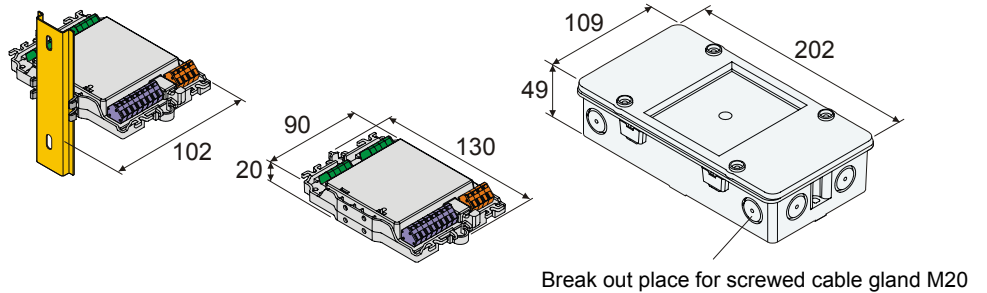


Installation in separately housing FDCH292 for wet applications



Installation in range with enclosed mounting feeds at top U rail TS35

Dimensions



Technical data

	FDCI222	FDCIO222 / FDCIO224
Operating voltage	12... 33 VDC	12... 33 VDC
Operating current (quiescent)	0.25... 0.35 mA	0.6... 0.75 mA
Relays output (ohm)	–	250 VAC / 4 A, max. 1000 VA 30 VDC / 4 A, max. 120 W
Operating temperature	–25... +60 °C	–25... +60 °C
Storage temperature	–30... +65 °C	–30... +65 °C
Humidity	≤95 % rel.	≤95 % rel.
Communication protocol	FDnet	FDnet
Connection terminals	0.2... 1.5 mm ² (2.5 mm ²)	0.2... 1.5 mm ² (2.5 mm ²)
Color		
– Housing	pure white, RAL 9010	pure white, RAL 9010
– Cover	transparent matt	transparent matt
– Aux. Housing FDCH291/292	pure white, RAL 9010	pure white, RAL 9010
Protection category EN60529 / IEC529		
– without auxiliary housing	IP30	IP30
– with aux. housing FDCH291	IP54	IP54
– with aux. housing FDCH292	IP65	IP65
Standards	CEA GEI I-084, EN54-17, EN54-18	CEA GEI I-084, EN54-17, EN54-18
Approvals		FDCIO222 FDCIO224
– VdS	G204028	G204029 G207001
– LPCB	126ad/01	126ad/02 –
System compatibility FDnet	FS20, AlgoRex, SIGMASYS	
QS standards	Siemens Standard SN 36350	

Details for ordering

Type	Part no	Designation	Weight
FDCI222	A5Q00001984	Input module 4 inputs incl. 8 resistors, 2 mounting feeds	0.080 kg
FDCIO222	A5Q00002369	In-/Output module (4 inputs / 4 outputs) incl. 8 resistors and 2 mounting feeds	0.116 kg
FDCIO224	A5Q00018689	In-/Output module (4 inputs / 4 outputs) incl. 8 resistors and 2 mounting feeds, for VdS interface	0.116 kg
FDCH291	A5Q00002395	Housing with cover and screws	0.272 kg
FDCH292	A5Q00003942	Housing with cover, seal and screws	0.337 kg
–	A5Q00004478	Metal screwed cable gland M20 x 1.5	0.039 kg
–	A5Q00004479	Back nut M20	0.006 kg
FDCM291	A5Q00003855	Mounting feeds (25 pcs.)	0.002 kg
–	4074540001	Auxiliary terminal	0.018 kg

Details see equipment overview 008164

Details about system compatibility see List of compatibility 008331