



DJ1191, DJ1192, DJ1193

Alarm indicators

Sinteso™
AlgoRex



-
- **DJ1191, DJ1192**
 - Modern flat design
 - Non-screw terminals
 - **DJ1193**
 - Simple plug-in, expanding-spring socket

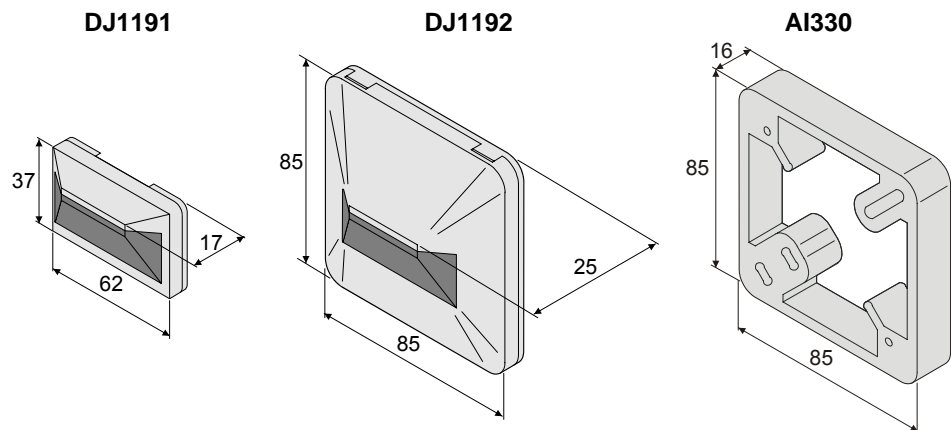
Characteristics

- Alarm indicators are connected to automatic fire detectors in order to indicate quickly the source of an alarm signal from detectors which are not easily accessible or visible.
- The alarm indicators contain an indicator lamp unit with one respectively two LEDs. They light up as soon as the connected fire detector gives an alarm.

Alarm indicators DJ1191, DJ1192

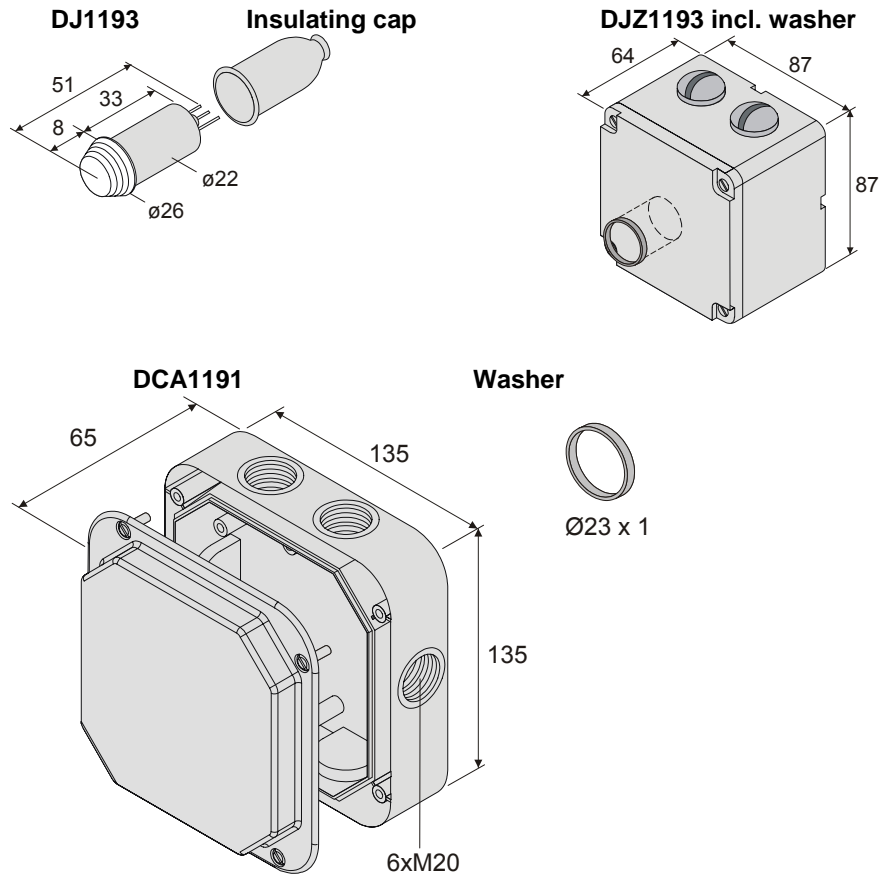
- Alarm indicators are mounted with two screws either directly to a door frame (DJ1191), or on a wall (DJ1192).
- For the following applications the DJ1192 can be completed with AI330 adapter frame:
 - for surface laid conduit or ducts
 - to increase the loop space
 - as an adapter for different makes of box

Dimensions



Alarm indicator DJ1193

- Made of transparent plastic alarm indicator is suitable for installation in door frames, switching panels, ceiling voids or special housings. The 23 mm Ø mounting hole is drilled by the system owner. The holder must be fitted with an insulating cap for safety.
- For installation in humid rooms the DJZ1193 and DCA1191 housings as well as a washer are available.
- The housing DJZ1193 has a hole for the mounting of one alarm indicator.
- Up to 4 alarm indicators can be built into the housing DCA1191. The 23 mm Ø mounting holes are drilled by the system owner.



Technical data

	DJ1191, DJ1192	DJ1193
Operating voltage	5... 8 VDC	6... 8 VDC
Operating current (continuous)	max. 35 mA	max. 35 mA
Connection terminals	max. 1.5 mm ²	max. 1.5 mm ²
Ambient temperature	-25... +80 °C	-25... +80 °C
Humidity	≤95 % rel.	≤95 % rel.
Protection category EN60529 / IEC529	IP40	
- with DJZ1193	-	IP65
- with DCA1191	-	IP56
Color	pure white, RAL 9010	transparent plastic
- housing DJZ1193		white, RAL 9010
- housing DCA1191		white, RAL 9010

Details for ordering

	Type	Part no	Designation	Weight
Accessory	DJ1191	4783280001	Alarm indicator, door frame version	0.020 kg
	DJ1192	4783310001	Alarm indicator, wall version	0.050 kg
	AI330	3169430001	Adapter frame for DJ1192	0.020 kg
Accessories	DJ1193	4786360001	Alarm indicator incl. insulating cap, built in version	0.010 kg
	DJZ1193	5302950001	Indicator housing, incl. washer	0.115 kg
	DCA1191	4588560001	Housing with cover	0.265 kg
Spare part	-	2473130001	Washer	0.001 kg
	-	3048160001	Insulating cap	0.005 kg