



FDM221, FDM223

Sinteso™

Manual call point



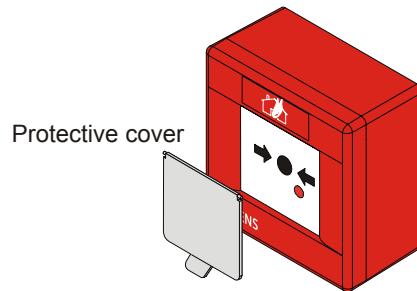
addressable

-
- Manual call point for the addressable Sinteso™ fire detection system
 - Manual call point FDM221 with direct operation
 - Manual call point FDM223 with indirect operation
 - Two-wire installation for all types of cable
 - Communication via FDnet (individual addressing)

Characteristics

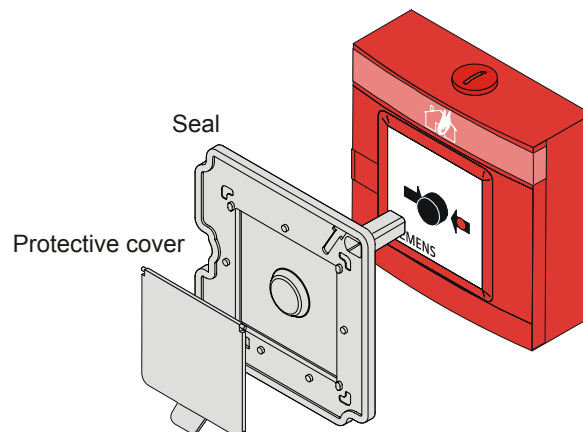
- **Environmental**
 - ecologically processing
 - recyclable materials
 - electronic and synthetic material simple separable
- **Characteristics**
 - protected electronic
 - response indicator (LED) built-in
 - integrated line separator

Manual call point FDM221



- **Function**
 - direct alarm actuation by pushing in the glass plate
 - By replacing the glass plate the push button is set back and the device is ready for operation again.
 - An additional protective cover FDMC291 protects the manual call point from unintentional glass break.
- **Application**
 - for the immediate manual actuation of a fire alarm or an extinguishing process
 - for indoor and outdoor application
 - for surface- and recess-mounted feed lines in easily accessible places

Manual call point FDM223



- **Function**
 - indirect alarm actuation by smashing in the glass plate and pressing the push button
 - To replace the glass plate, open the housing door with the key, the push button must be set back before closing the door again.
 - A protective cover DMZ1197-AC (accessory) protects the manual call point from unintentional glass break.
 - A seal DMZ1197-AD (accessory) protects the manual call point in wet applications.

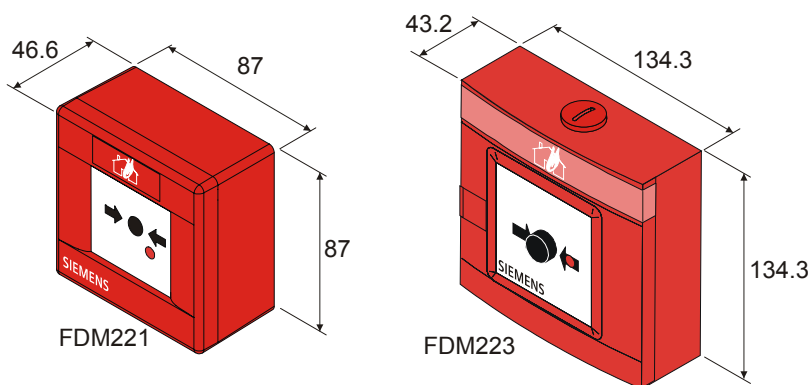
● **Application**

- for the immediate manual actuation of a fire alarm or an extinguishing process
- for indoor and outdoor application, equally suited for wet, humid and dusty areas
- for surface- and recess-mounted feed lines in easily accessible places

Installation

- For recess mounted feed lines, break out the break-out point in the housing bottom.
- For surface-mounted feed lines to the FDM221, a hole must be drilled into the top or bottom of the detector housing (marking), use at max. cable gland M20.
- For surface-mounted feed lines to the FDM223 the housing is equipped with opening sat the top and bottom, with sealing studs for M20 cable glands or locking plug.
- The switching unit can be placed immediately after connecting the feed line, which is an advantage with line test with a line-testing device.

Dimensions



Technical data

	FDM221	FDM223
Operating voltage	12... 33 VDC	12... 33 VDC
Operating current (quiescent)	200 µA	200 µA
Ext. Response indicator (AI)	–	2
Operating temperature	–25... +70 °C	–25... +70 °C
Storage temperature	–30... +75 °C	–30... +75 °C
Humidity		
at T ≤ 34 °C	≤ 100 % rel.	≤ 100 % rel.
at T ≥ 34 °C	≤ 35 g/m ³	≤ 35 g/m ³
Protocol	FDnet	FDnet
Terminal block	0.28... 1.5 mm ²	0.28... 1.5 mm ²
Color	red (RAL3000) blue (RAL5005) yellow (RAL1023) green (RAL6024)	red (RAL3000) blue (RAL5005) yellow (RAL1023) green (RAL6024)
Protection category EN60529 / IEC529	IP44	IP54
– with seal DMZ1197-AD	–	IP66
Standards	EN54-11, BS5839-2	EN54-11, BS5839-2
Approvals		
- VdS	G203059	G204002
QS standards	Siemens Standard SN 36350	
System compatibility	AlgoRex/FDnet, SIGMASYS/FDnet	

Details for ordering

	Type	Part no	Designation	Weight
FDM221	FDMH291-R	A5Q00002217	Housing red, with key	0.089 kg
	FDMH291-Y	A5Q00004979	Housing yellow, with key	0.089 kg
	FDMH291-B	A5Q00004980	Housing blue, with key	0.089 kg
	FDMH291-G	A5Q00004981	Housing green, with key	0.089 kg
	FDME221	A5Q00002451	Switching unit	0.045 kg
Accessories	FDMC291	A5Q00001644	Protective cover	0.010 kg
	–	A5Q00004478	Metal screwed cable gland M20	0.039 kg
	–	A5Q00004479	Back nut M20	0.006 kg
Spare parts	FDMG291	A5Q00002122	Glass	0.006 kg
	FDMK291	A5Q00001643	Cover with key	0.030 kg
FDM223	complete	A5Q00008098	Housing red, glass, key, switching unit, locking plug red (RAL3000)	0.330 kg
FDM223	FDMH293-R	A5Q00004023	Housing red, with glass and key	0.256 kg
	FDMH293-Y	A5Q00004908	Housing yellow, with glass and key	0.256 kg
	FDMH293-B	A5Q00004909	Housing blue, with glass and key	0.256 kg
	FDMH293-G	A5Q00004911	Housing green, with glass and key	0.256 kg
	FDME223	A5Q00003087	Switching unit	0.067 kg
Accessories	DMZ1197-AC	5223550001	Protective cover	0.012 kg
	DMZ1197-AD	5470680001	Seal for wet areas	0.023 kg
	–	A5Q00004478	Metal screwed cable gland M20	0.039 kg
Spare parts	–	A5Q00006735	Locking plug M20, red	0.007 kg
	DMZ1196-AC	4942050001	Glass	0.016 kg
	DMZ1195	4851910001	Key	0.003 kg