



FDUD291, FDUD292, FDUL221, FDUM291, FDUM292

Sinteso™



Detector exchanger, Detector exchanger and tester, Line tester, Telescope rods

- The detector exchanger FDUD291 serves for the rational inserting and removal of Sinteso™ point detectors.
- The detector exchanger and tester FDUD292 is a universal tool serving for the rational inserting and removal of Sinteso™ point detectors, as well as for the commissioning, maintenance and troubleshooting with point detectors, manual call points, alarm sounders, in-/output modules and linear smoke detectors.
- The line tester FDUL221 serves for system configuration and diagnosis. The device can be operated as stand-alone device, or can be connected to a PC for more sophisticated applications.
- The telescope rod FDUM291 with continuous length adjustment up to approx. 5.5m room height and the telescope rod FDUM292 with continuous length adjustment up to approx. 8m room height serve as extension of the exchanger, tester and other tools.

Characteristics

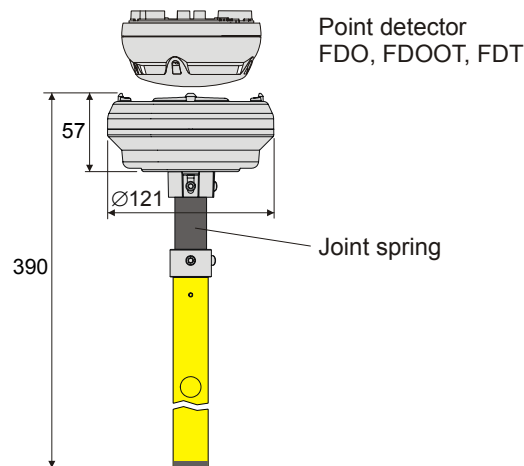
- ecologically processing
- recyclable materials
- detector exchange possible without ladder or scaffold up to 8m room height
- Joint springs facilitate all-side inclination for beveled insertion or removal of point detectors.
- The point detector can be gripped in four turning positions for increased work efficiency.
- Specially developed springs retain the point detector in the detector extractor.
- compatible with the telescope rays FDUM291/292 and the conventional extension rods VR10/11/12/13 and the MP/MT grab rods and extension rods

Function

- rational insertion and removal of point detectors FDO, FDOOT, FDT

Application

- for all point detectors FDO, FDOOT, FDT



Detector exchanger and tester FDUD292

The detector exchanger and tester FDUD292 is a universal tool for the insertion and removal of point detectors and for the commissioning and maintenance of all FDnet-devices, with the exception of the flame detector FDF and the line separator FDCL.

Characteristics

- ecologically processing
- recyclable materials
- electronic und synthetic material simple separable
- efficient and ecological detector testing without gas
- detector exchange possible without ladder or scaffold up to 8m room height
- elastic springs facilitate all-side inclination for beveled insertion or removal of point detectors
- The point detector can be gripped in four turning positions for increased work efficiency.
- Specially developed springs retain the point detector in the detector extractor.
- Efficient operation due to alphanumeric display including lighting and keypad.
- LED display for test OK, exchange recommended, exchange necessary
- 9V battery

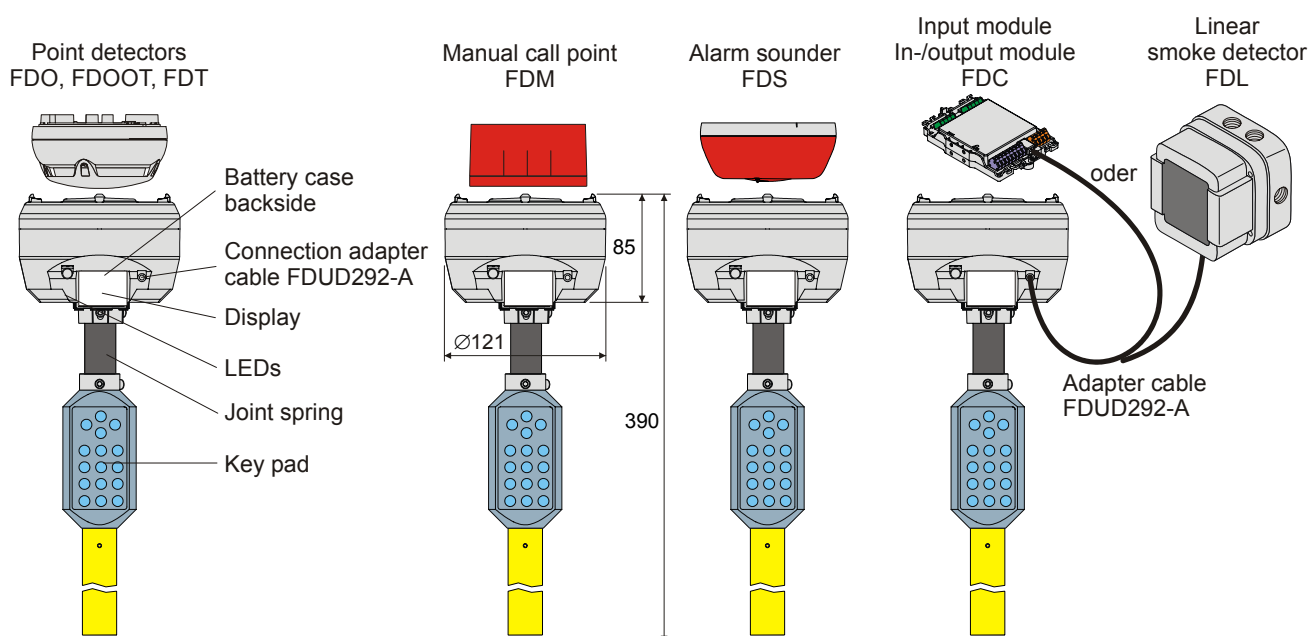
- compatible with the telescope rays FDUM291/292 and the conventional extension rods VR10/11/12/13 and the MP/MT grab rods and extension rods

Function

- rational insertion and removal of point detectors FDO, FDOOT, FDT
- Commissioning, maintenance, status check and testing of detectors with extend diagnosis information on site.
- polling parameters such as bus address and changes to detector settings
- efficient troubleshooting with detectors, installation and control unit
- access levels for corresponding access authorization with password

Application

- for all point detectors FDO, FDOOT, FDT, manual call points FDM, alarm sounders FDS (wireless MC link)
- input module FDCI, in-/output module FDCIO, linear smoke detector FDL via adapter cable FDUD292-A



Telescope bars FDUM291 and FDUM292

Characteristics

- yellow plastic tubes in light and robust execution (non-conductive material)
- plastic sockets and slide bearings provide for easy sliding of the tubes
- quick spring-type locking mechanisms and continuous length adjustment
- The tubes can be extended to their maximum length and are protected against further extension by a stop bolt.
- Further extension of the telescope rods is not possible.
- The use with previous test devices is possible.

FDUM291

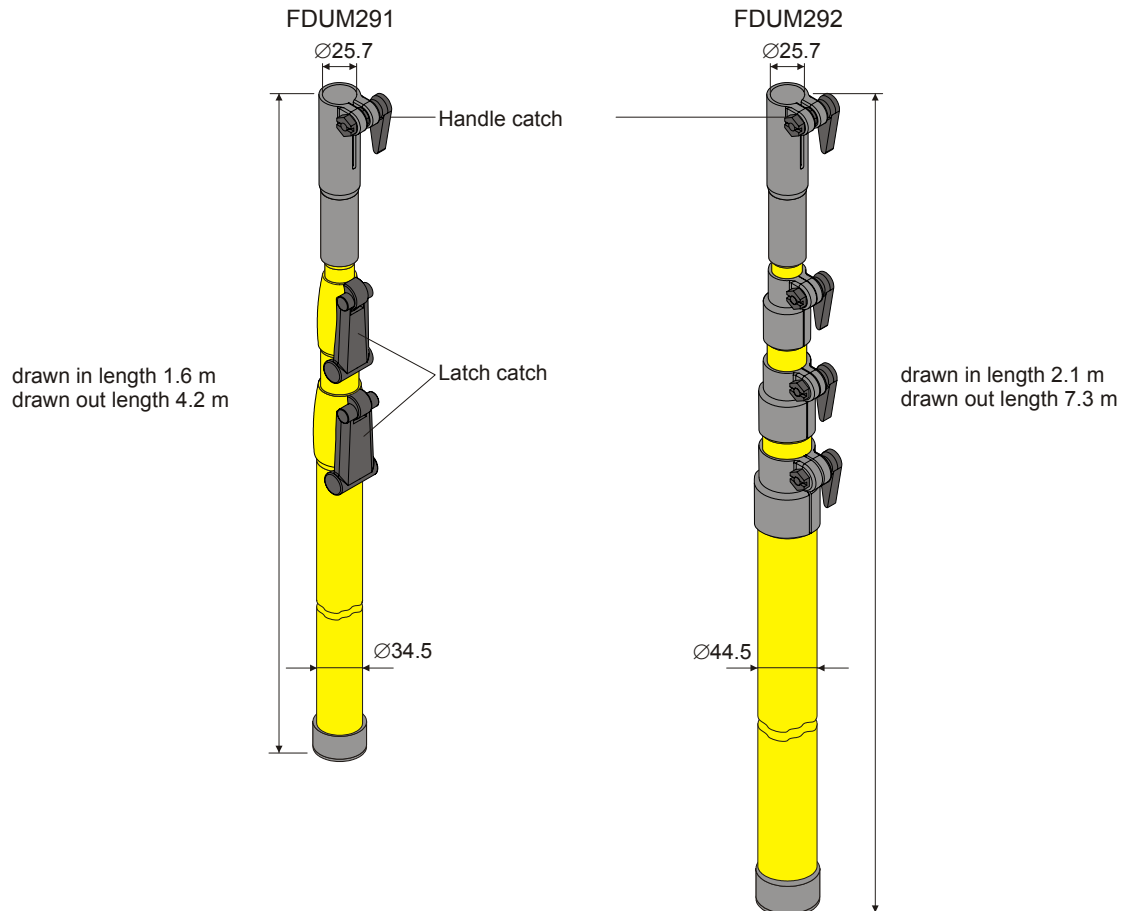
- light telescope rod for all applications, for room heights up to 5.5m
- latch catch for continuous length adjustment
- three-part telescope with tri-oval tubes as practical grip
- distortion of the tubes is not possible
- weight 1.2kg without attached tool

FDUM292

- long, robust telescope rod for room heights up to 8m
- handle catch for continuous length adjustment
- stable, four-part telescope with round tubes
- weight 3.2kg without attached tool

Application

- The telescope rods FDUM291/292 serve as extensions for the detector exchanger FDUD291, detector exchanger and tester FDUD292 and other applications.



Line tester FDUL221

Characteristics

- ecologically processing
- recyclable materials
- 4-line display with 20 characters per line
- easy, menu-guided operation
- power supply via battery or mains adapter

Function

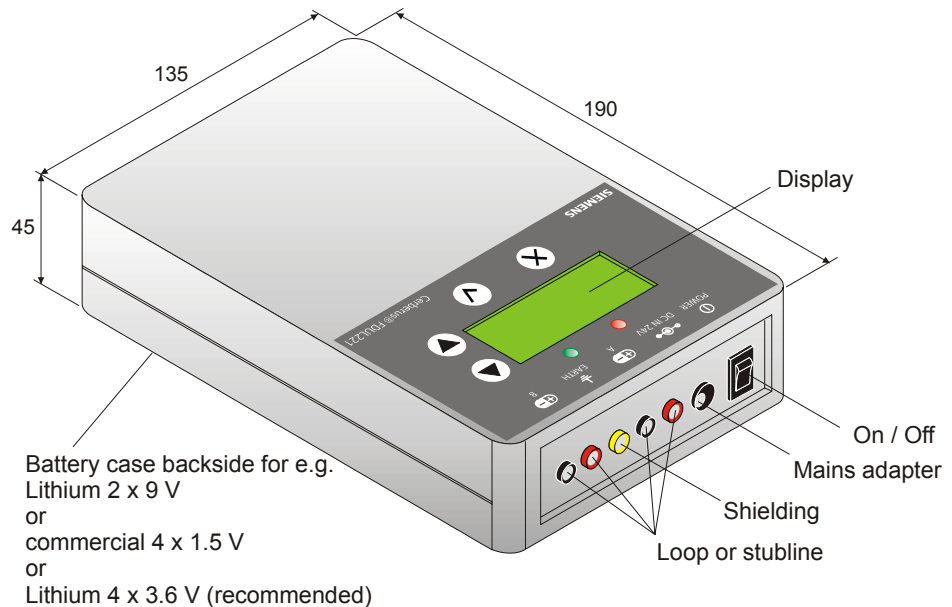
Different functions can be polled, e.g.:

- number of devices found at the A and B connection
- number and place of line errors found
- short circuit, open line, ground fault with conductor(s)
- total resistance too high and/or charging voltage at the end of line too low
- data transmission fault due to too high line capacity
- unauthorized line configuration

- scrolling from detector to detector, with indication of type and serial number
- indication of branches and selection of the branch for scrolling
- activation of the internal response indicator of the selected detector and recognition of the connected alarm sounder

Application

- The line tester FDUL221 is a universal device for the final testing of completely installed FDnet fire detection lines, when no control unit has been connected yet. For troubleshooting for electricians, installers or service technicians.



Technical data

Detector exchanger and tester	Operating voltage	9 VDC
	– Alkali battery	Type IEC 6 LF 22 / capacity 500 mAh
	for temperatures under -10°C	
	– Lithium brownstone battery	ULTRALIFE U9VL or U9VL-J
		Capacity 950 – 1200 mAh
	Operating current	
	– Stand by (light off / on)	2 mA / 42 mA
– Communication (3 LEDs + Summer)	95 mA	
Operating temperature	$-25... +40^{\circ}\text{C}$	
– temporary	$-30... +50^{\circ}\text{C}$	
Storage temperature	$-30... +75^{\circ}\text{C}$	
– with battery	$-25... +60^{\circ}\text{C}$	
Humidity	$\leq 95\%$ rel. (no condensation)	
Line tester	Operating voltage	min. 6 VDC
	– Battery or via	4 x 1.5 V or 2 x 9 V or 4 x 3.6 V
	– Mains adapter	240 VAC/24 VDC, 625 mA
	Quiescent current
	Current consumption during measuring	depending on number of devices
	Detection line voltage	32 VDC
	Detection line current	300 mA at 18 V operating voltage
	Operating temperature	$-25... +40^{\circ}\text{C}$
	Storage temperature	$-30... +75^{\circ}\text{C}$
	– with battery	$-25... +60^{\circ}\text{C}$
Humidity	$\leq 95\%$ rel. (no condensation)	

Details for ordering

	Type	Part no	Designation	Weight
	FDUD291	A5Q00003585	Detector exchanger	0.480 kg
	FDUD292	A5Q00003357	Detector exchanger and tester incl. adapter cable FDUD292-A	0.900 kg
Spare part	FDUD292-A	A5Q00004990	Adapter cable Audio stereo cable with 3.5 mm stereo jack	0.040 kg
Accessories	–	2766690001	Alkali battery Type IEC 6 LF 22.9 V / 0.5 Ah	0.046 kg
	–	4704940001	Lithium brownstone battery 9 V / 1.2 Ah	0.038 kg
	FDUM291	A5Q00004996	Telescope rod three-part telescope with tri-oval tubes (1.6 m / 4.2 m)	1.200 kg
Spare parts	–	A5Q00009787	Lever with screw and nut (Handle catch)	0,020 kg
	–	A5Q00009786	Adapter with lever, screw and nut incl. attachment and bushing screw	0,080 kg
	–	A5Q00009788	Small flap with screw and nut (Latch catch)	0,014kg
	–	A5Q00009789	Large flap with screw and nut (Latch catch)	0,014kg
	FDUM292	A5Q00004997	Telescope rod four-part telescope with round tubes (2.1 m / 7.3 m)	3.200 kg
Spare parts	–	A5Q00009787	Lever with screw and nut (Handle catch)	0,020 kg
	–	A5Q00009786	Adapter with lever, screw and nut incl. attachment and bushing screw	0,080 kg
	FDUL221	A5Q00004397	Line tester incl. line connection set FDUL221-A, power supply set FDUL221-B and PC cable (RS232) FDUL221-C	0.900 kg
Spare parts	FDUL221-A	A5Q00008436	Line connection set	0.100 kg
	FDUL221-B	A5Q00008437	Power supply set	0.250 kg
	FDUL221-C	A5Q00008438	PC cable (RS232)	0.030 kg
Accessories	–	2766690001	Alkali battery Type IEC 6 LF 22, 9 V / 0.5 Ah	0.046 kg
	–	4704940001	Lithium brownstone battery 9 V / 1.2 Ah	0.038 kg
	–	5205350001	Lithium battery 3.6 V / 1.9 Ah	0.017 kg