



CE

AI320, AI322

Synova®

Response indicators

For SynoLINE300 detectors

-
- Additional location aid in the event of fire
 - Only three components for all the normal mounting variants
 - Screwless connecting terminals
 - Esthetically pleasing, modern, flat design

Features

The AI320 and AI322 response indicators are visual parallel indications for fire detectors which are used on the conventional SynoLINE300 detector line.

- **Product features**

The AI320 and AI322 response indicators are the visual parallel indications for fire detectors used on the SynoLINE300 detector line. They are provided with a dark red luminous element, fitted with LEDs.

- **Triggering of an alarm**

If an alarm is triggered, the response indicator connected to the fire detector also illuminates. Up to four detectors can be connected to one response indicator. The AI320 response indicator is designed for frame mounting and the AI322 for wall mounting.

- **Application**

The response indicators are an ideal supplement to fire detectors, where the detectors are mounted in positions which are difficult to reach (e.g. in switching cabinets) or difficult to see (e.g. in hotel rooms) and enable the triggered detector to be quickly located.

Installation

- Frame mounting (AI320)
- Wall mounting (AI322)
- Mounting using only 2 screws

Detector connection

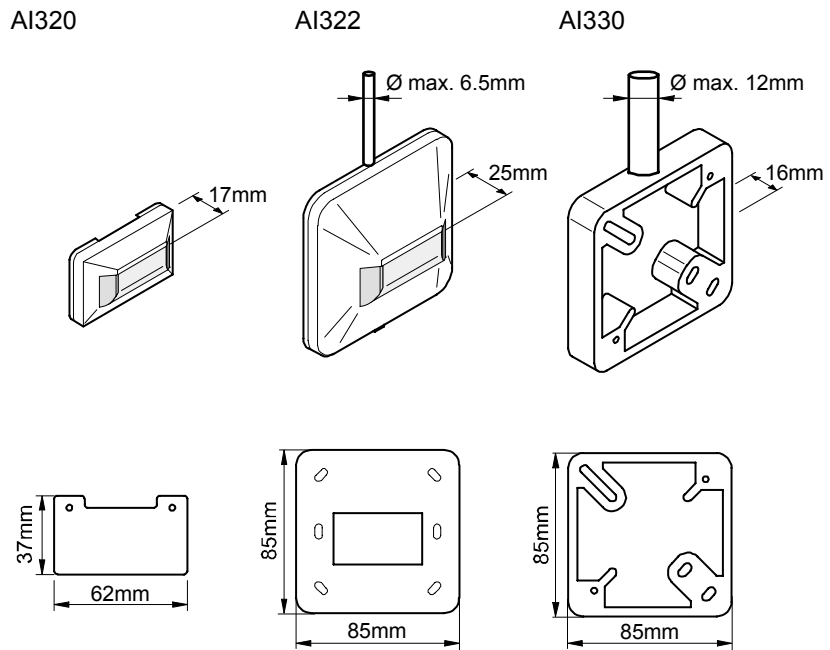
- Plug-in connection
- Decoupled inputs
- Up to 4 detectors can be connected

Options

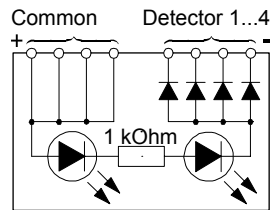
By means of the additional AI330 frame, the AI322 response indicator can also be used for the following applications.

- Surface mounting or insertion into ducts
- To increase the loop space
- As an adapter for different sockets

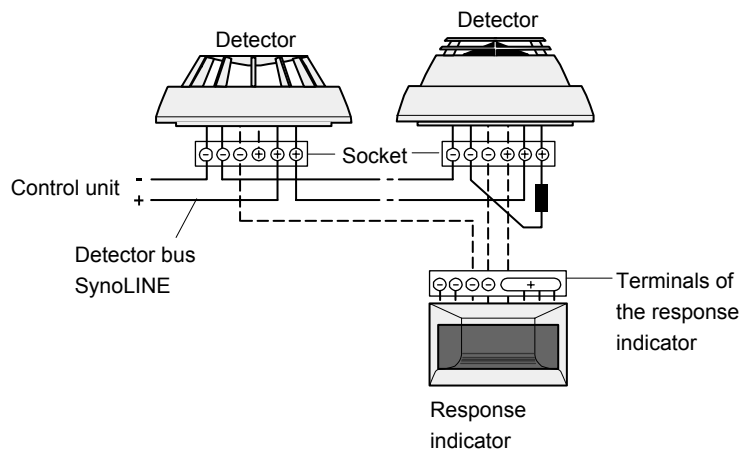
Dimensions



Diagram



Examples for supply network



Technical data

Supply voltage	6 ... 28V
Power consumption, continuous	<35mA
Terminals	<1.5mm ²
Operating temperature	-25 ... +80°C
Air humidity	≤95% r.h.
Protection category	IP40
Colour	white (≈RAL9010)
Compatibility	Compatible with all fire detectors of the detector line SynoLINE300.
QS standard	Industry-specific, certified quality assurance system in accordance with EN ISO 9001:2000.

Details for ordering

Type	Part no.	Designation	Weight
AI320	516303	Response indicator, model for door frames	0.020kg
AI322	516316	Response indicator, model for wall-mounting	0.050kg
		Accessories	
AI330	316943	Adapter frame	0.020kg