



CE

**AI300, AI340**

Synova®

## Response indicators

For SynoLINE600 or SynoLOOP detectors

- 
- **Additional location aid in the event of fire**
  - **Only three components for all the normal mounting variants**
  - **Screwless connecting terminals**
  - **Esthetically pleasing, modern, flat design**

## Features

---

The AI300 and AI340 response indicators are visual parallel indications for fire detectors. The connection within the Synova® modular fire detection system is to the detectors of the conventional SynoLINE600 detector line or the SynoLOOP detector bus

- **Product features**

The AI300 and AI340 response indicators are the visual parallel indications for fire detectors used on the SynoLINE600 detector line and SynoLOOP detector bus. They are provided with a dark red luminous element, fitted with LEDs.

- **Triggering of an alarm**

If an alarm is triggered, the response indicator connected to the fire detector also illuminates. Up to four detectors can be connected to one response indicator. The AI300 response indicator is designed for frame mounting and the AI340 for wall mounting.

- **Application**

The response indicators are an ideal supplement to fire detectors, where the detectors are mounted in locations which are difficult to reach (e.g. in switching cabinets) or difficult to see (e.g. in hotel rooms) and enable the triggered detector to be quickly located.

## Installation

---

- Frame mounting (AI300)
- Wall mounting (AI340)
- Mounting using only 2 screws

## Detector connection

---

- Plug-in connection
- Decoupled inputs
- Up to 4 detectors can be connected

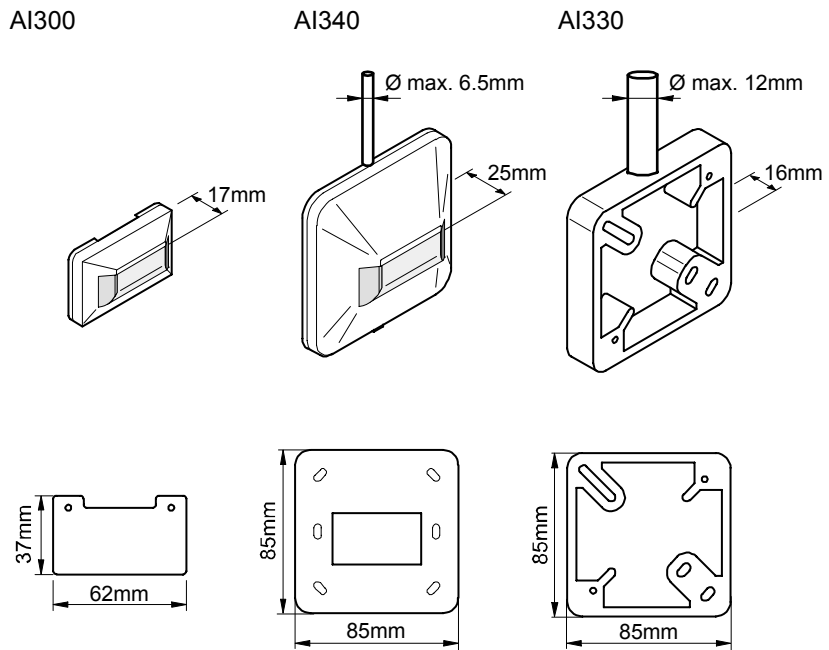
## Options

---

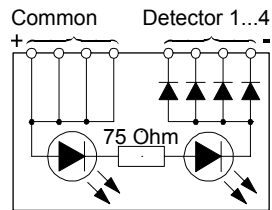
By means of the additional AI330 frame, the AI340 response indicator can also be used for the following applications.

- Surface mounting or insertion into ducts
- To increase the loop space
- As an adapter for different sockets

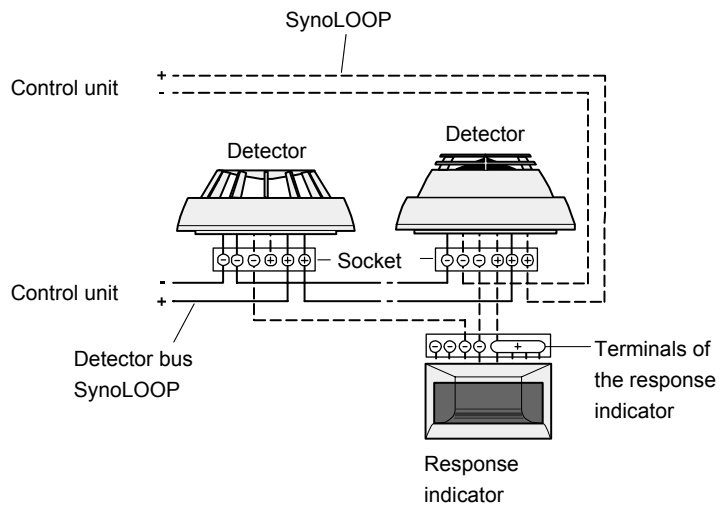
## Dimensions



## Diagram



## Examples for supply network



## Technical data

---

Supply voltage	5 ... 8V
Power consumption, continuous	<35mA
Terminals	<1.5mm <sup>2</sup>
Operating temperature	-25 ... +80°C
Air humidity	≤95% r.h.
Protection category	IP40
Colour	white (≈RAL9010)
Compatibility	Compatible with all fire detectors on the SynoLOOP detector bus and the detector line SynoLINE600.
QS standard	Industry-specific, certified quality assurance system in accordance with EN ISO 9001:2000.

## Details for ordering

---

Type	Part no.	Designation	Weight
AI300	493028	Response indicator, model for door frames	0.020kg
AI340	493044	Response indicator, model for wall-mounting	0.050kg
Accessories			
AI330	316943	Adapter frame	0.020kg