



FDCI222, FDCIO222

Sinteso™

Input module In-/Output module

CE

addressable

- Input module FDCI222 with 4 monitored contact inputs for the acknowledgement of technical states or alarm actuation
- Input/Output module FDCIO222 with 4 control outputs with potential-free relay contacts for the control of fire doors, ventilation, air conditioning, elevator control installations and 4 monitored contact inputs for acknowledgement or alarm actuation
- Microprocessor-controlled signal evaluation
- LED display of input and output status, fault, test, etc.
- Two-wire installation for all types of cable
- No auxiliary power supply required, power supply via FDnet
- Communication via FDnet (individual addressing)
- Applicable in dry, dusty and humid areas
- Different mounting possibilities

Characteristics

- **Environmental**

- ecologically processing
- recyclable materials
- electronic und synthetic material simple separable

- **Characteristics**

- transparent housing for good visibility of the indicators
- protected electronics
- integrated line separator
- temporal status monitoring
- no auxiliary power supply required
- easy installation with spring-loaded catch
- applicable in dry areas
- use corresponding auxiliary housing for application in humid areas

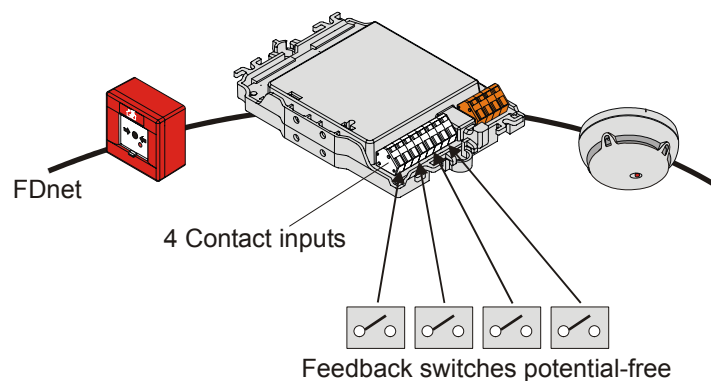
Input module FDCI222

- **Function**

- 4 inputs for potential-free acknowledgement contacts
- Input lines are monitored for open line and short circuit (termination resistors).
- Inputs can be independently configured via the fire detection control unit for status or alarm messages.
- status indication by LED

- **Application**

- For the connection of 4 independent, potential-free make or break contacts for the acknowledgement of technical states (e.g. door or ventilation control) or for alarm actuation (e.g. sprinkler alarm).



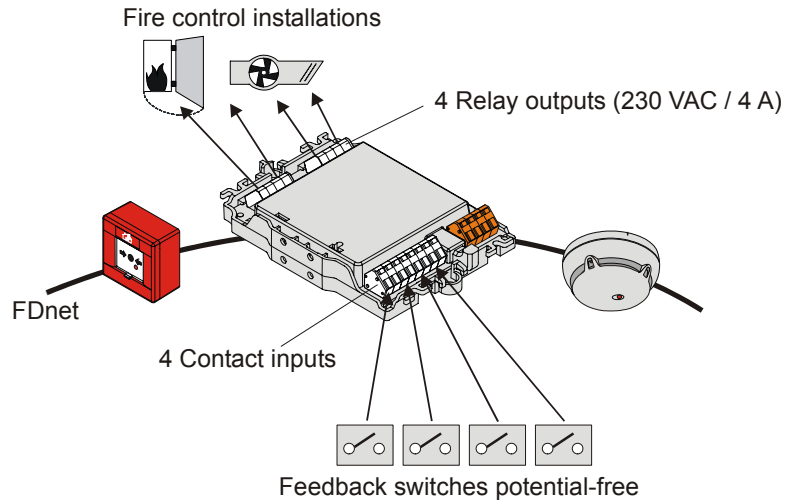
In-/Output module FDCIO222

- **Function**

- 4 inputs for potential-free acknowledgement contacts
- Input lines are monitored for open line and short circuit (termination resistors).
- Inputs can be independently configured via the fire detection control unit for status or alarm messages.
- 4 outputs with 4 potential-free relay contacts (230 VAC / 4 A) for fire control installations
- status indication by LED

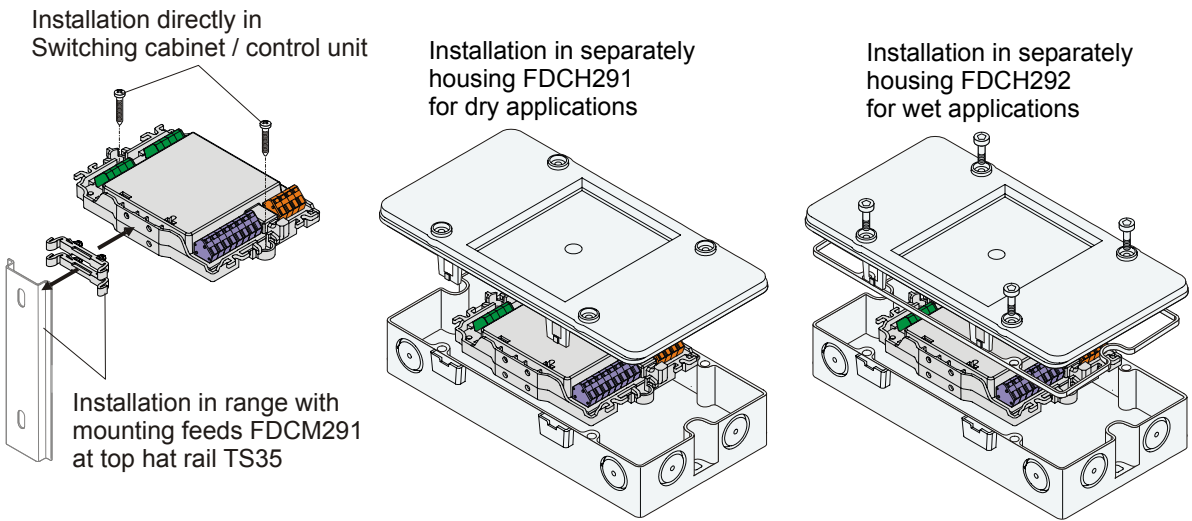
● **Application**

- For the connection of 4 independent, potential-free make or break contacts for the acknowledgement of technical states (e.g. door or ventilation control) or for alarm actuation (e.g. sprinkler alarm).
- For the decentralized control of fire doors, ventilation, air conditioning, etc.

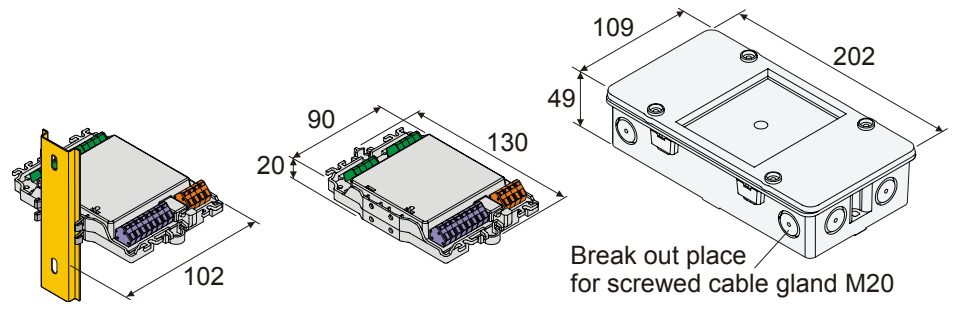


Installation

- screw directly onto top hat rail
- mounting (series mounting) top hat rail TS35
- surface- or recess-mounted cable ducts
 - housing with cover (spring-loaded catch) for dry applications
 - housing with cover, seal and screws for wet applications



Dimensions



Technical data

	FDCI222	FDCIO222
Operating voltage	12... 33 VDC	12... 33 VDC
Operating current (quiescent)	0.25... 0.35 mA	0.6... 0.75 mA
Relays output (ohm)	–	250 VAC / 4 A, max. 1000 VA 30 VDC / 4 A, max. 120 W
Operating temperature	–25... +60 °C	–25... +60 °C
Storage temperature	–30... +65 °C	–30... +65 °C
Humidity		
at T ≤ 34 °C	≤ 100 % rel.	≤ 100 % rel.
at T ≥ 34 °C	≤ 35 g/m ³	≤ 35 g/m ³
Communication protocol	FDnet	FDnet
Connection terminals	0.2... 1.5 mm ² (2.5 mm ²)	0.2... 1.5 mm ² (2.5 mm ²)
Color		
- Housing	pure white (RAL9010)	pure white (RAL9010)
- Cover	transparent matt	transparent matt
- Aux. Housing FDCH291/292	pure white (RAL9010)	pure white (RAL9010)
Protection category EN60529 / IEC529		
- without auxiliary housing	IP30	IP30
- with aux. housing FDCH291	IP54	IP54
- with aux. housing FDCH292	IP65	IP65
Standards	CEA GEI I-084	CEA GEI I-084
Approvals		
- VdS	G204028	G204029
QS standards	Siemens Standard SN 36350	
System compatibility	AlgoRex/FDnet, SIGMASYS/FDnet	

Details for ordering

Type	Part no	Designation	Weight
FDCI222	A5Q00001984	Input module 4 inputs	0.080 kg
FDCIO222	A5Q00002369	In-/Output module 4 inputs / 4 outputs	0.116 kg
FDCH291	A5Q00002395	Housing with cover and screws	0.272 kg
FDCH292	A5Q00003942	Housing with cover, seal and screws	0.337 kg
–	A5Q00004478	Metal screwed cable gland M20	0.039 kg
–	A5Q00004479	Back nut M20	0.006 kg
FDCM291	A5Q00003855	Mounting feeds (25 pcs.)	0.002 kg
–	2567860001	Resistor 3k01; 1 %; 0.25 W	
–	3383580001	Resistor 1k15; 1 %; 0.25 W	
–	4074540001	Auxiliary terminal	0.018 kg

Siemens Switzerland Ltd
Building Technologies Group
International Headquarters
Alte Landstr. 411
CH-8708 Männedorf
Tel. +41 1 - 922 6111
Fax +41 1 - 922 6450
www.sbt.siemens.com

© 2004 Copyright by
Siemens Switzerland Ltd
Data and design subject to change without notice.
Supply subject to availability.