

FDS221, FDSB291

Sinteso™

Alarm sounder, Sounder base



addressable

-
- Alarm sounder FDS221
 - 11 tonalities selectable, 2 activation levels programmable
 - Sound intensity up to 99 dBA, adjustable on 3 levels
 - Compatible to the addressable detector base
 - With screw less connection terminals
 - Use of base accessories possible
 - No auxiliary power supply required
 - Monitoring of device status
 - Two-wire installation
 - Communication via FDnet
-
- Sounder base FDSB291
 - 11 tonalities selectable, 2 activation levels programmable
 - Sound intensity up to 88 dBA, adjustable on 2 levels
 - Compatible to the addressable detectors FDOOT and FDO
 - With screw less connection terminals
 - Connector for 1 external response indicator
 - No auxiliary power supply required
 - Two-wire installation
 - Communication via FDnet

Characteristics

- **Environmental**

- ecologically processing
- recyclable materials
- electronic und synthetic material simple separable

- **Characteristics alarm sounder FDS221**

- protected electronics, high-quality components
- integrated short-circuit isolator
- sound intensity and sounds adjustable
- screw less connection terminals
- no auxiliary power supply required; power is supplied via FDnet
- very low operating current
- periodic testing of the acoustic part (not audible)
- monitoring of device status

- **Characteristics sounder base FDSB291**

- base
- sound intensity and sounds adjustable
- screw less connection terminals
- no auxiliary power supply required; power is supplied via FDnet
- space for auxiliary terminals, for the connection of a response indicator

Alarm sounder FDS221

- **Function**

- loud alarming in case of fire alarm, clearly recognizable as danger signal

- **Application**

- along escape routes
- corridors
- staircases

Sounder base FDSB291

- **Function**

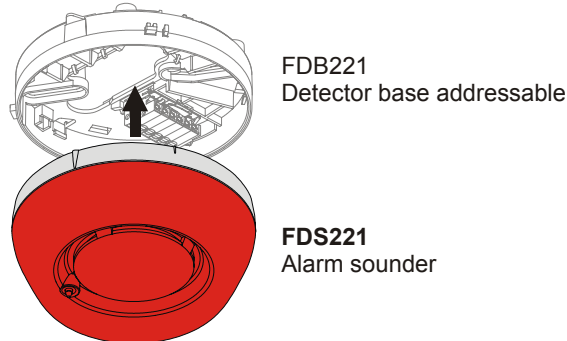
- in case of a fire alarm, the signal base triggers an acoustic signal in parallel to the flashing of the detector LED

- **Application**

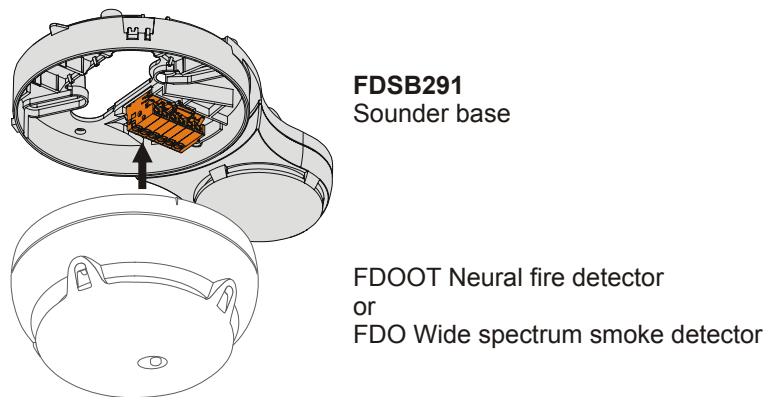
- hotel rooms
- hospitals
- nursing homes

Installation

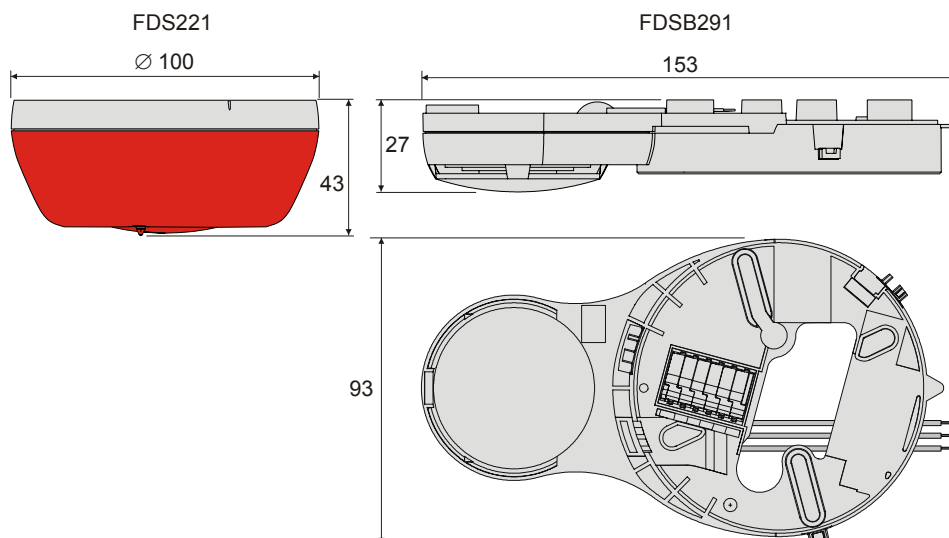
- The alarm sounder FDS221 is inserted directly in the detector base and mounted on walls or on the ceiling.
- for surface mounting
- Surface wiring with surface cables max. 6mm in diameter, otherwise use base attachment.



- The signal base FDSB291 and the detector compose a unity, which already has a base and is mounted on ceilings.
- for surface mounting
- Surface wiring with surface cables max. 6mm in diameter.



Dimensions



Technical data

	FDS221	FDSB291
Operating voltage	12... 33 VDC	12... 33 VDC
Operating current (quiescent)	250 µA	150 µA
Sound activated	3.5 mA	1.2 mA
Number of sounds	11 2 activation levels 3 sound intensities	11 2 activation levels 2 sound intensities
Sound intensity	80... 99 dBA	80... 88 dBA
Ext. response indicator (AI)	–	1
Operating temperature	–25... +70 °C	–25... +70 °C
Storage temperature	–30... +75 °C	–30... +75 °C
Humidity		
at T ≤ 34 °C	≤ 100 % rel.	≤ 100 % rel.
at T ≥ 34 °C	≤ 35 g/m ³	≤ 35 g/m ³
Communication protocol	FDnet	FDnet
Connection terminals	according to detector base	0.2... 1.6 mm ²
Color	red (RAL3000) white (RAL9010)	white (RAL9010)
Protection category EN60529 / IEC529		IP43
with detector base FDB221	IP43	
with base attachment FDB291	IP44	
with base attachment wet FDB292	IP55	
Standards	EN54-3 / BS5839-1	EN54-3 / BS5839-1
Approvals		
- VdS	G204073	G204062
System compatibility	AlgoRex/FDnet, SIGMASYS/FDnet	
QS standards	Siemens Standard SN 36350	

Details for ordering

Type	Part no	Designation	Weight
FDSB291	A5Q00001647	Sounder base	0.068 kg
FDS221-R	A5Q00004117	Alarm sounder red	0.110 kg
FDS221-W	A5Q00006711	Alarm sounder white	0.110 kg

Accessories see document 007775

Siemens Switzerland Ltd
Building Technologies Group
International Headquarters
Alte Landstr. 411
CH-8708 Männedorf
Tel. +41 1 - 922 6111
Fax +41 1 - 922 6450
www.sbt.siemens.com

© 2004 Copyright by
Siemens Switzerland Ltd
Data and design subject to change without notice.
Supply subject to availability.