



Cerberus®

## Flashing signal lamp

**ALB12.1**  
**ALB24.1**

- 
- **Powerful light intensity generated by electronic flash tube**
  - **Ribbed dome with strong diffusion**
  - **ALB12.1: Model with cover-activated switch (tamper protection)**
- 

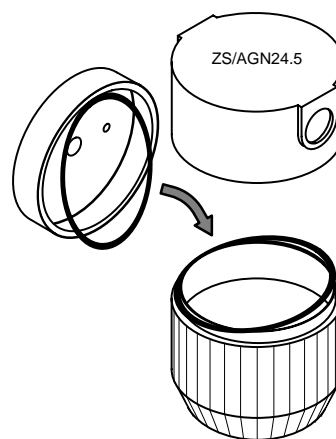
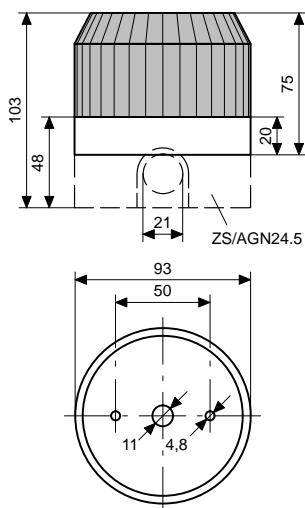
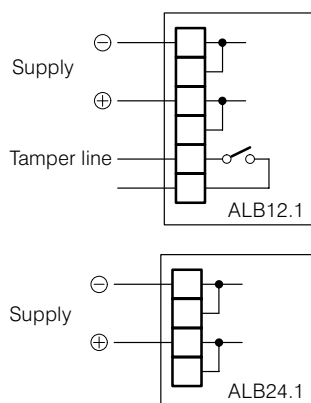
### Application:

- Ideal for noisy environments
- To identify buildings, entrances and exits: help can be brought quickly in an emergency
- For inside and outside application

### Design:

- Dome made of polycarbonate
- Encapsulated electronics
- White base, removable for simple installation
- Rubber ring
- Adapter base for cable entry with screwed cable gland
- Line monitoring possible by changing the polarity of the power supply

## Installation and connection



Installation of adapter base:  
Remove rubber ring from base and insert between housing and adapter base.

## Technical data

Flashing signal lamps

|  | ALB12.1                | ALB24.1                |
|--|------------------------|------------------------|
| Discharge energy   | 2 Joule                | 2 Joule                |
| Flash frequency  | ca. 1Hz (60/min.)      | ca. 1Hz (60/min.)      |
| Electrical connection<br>(protected against reversed polarity) |                        |                        |
| - Operating voltage  | 10...15V <sub>DC</sub> | 20...30V <sub>DC</sub> |
| - Operating current<br>(continuous operation)                  | 310mA (3.7W) at 12V    | 155mA (3.7W) at 24V    |
| Operating temperature  | -20...+55°C            | -20...+55°C            |
| EN60529/IEC529 protection category<br>(with adapter base)      | IP65                   | IP65                   |
| Terminals for wire cross-sectional<br>area up to               | 1.5mm <sup>2</sup>     | 1.5mm <sup>2</sup>     |
| Cover-activated switch   |                        |                        |
| - max. contact load  | 125V <sub>DC</sub> /5A | -                      |

## Details for ordering

| Type       | Part no. | Designation                  | Weight  |
|------------|----------|------------------------------|---------|
| ALB12.1    | 515401   | Flashing signal lamp, orange | 0.280kg |
| ALB24.1OR  | 515414   | Flashing signal lamp, orange | 0.280kg |
| ALB24.1R   | 515427   | Flashing signal lamp, red    | 0.280kg |
| ZS/AGN24.5 | 424262   | Adapter base, white          | 0.060kg |

© Siemens Building Technologies AG  
Subject to change

